



U.S. Department  
of Transportation

Pipeline and  
Hazardous Materials  
Safety Administration

IAEA CERTIFICATE OF COMPETENT AUTHORITY  
SPECIAL FORM RADIOACTIVE MATERIALS

CERTIFICATE USA/0608/S-96, REVISION 9

East Building, PHH-23  
1200 New Jersey Ave, SE  
Washington, D.C. 20590

This certifies that the sources described have been demonstrated to meet the regulatory requirements for special form radioactive material as prescribed in the regulations of the International Atomic Energy Agency<sup>1</sup> and the United States of America<sup>2</sup> for the transport of radioactive material.

1. Source Identification - Source Production and Equipment Company Series B, G, R, and T Model Sources manufactured after November 30, 2002.
2. Source Description - Either single or double encapsulations constructed of Type 316L stainless steel and tungsten-inert-gas welded. Approximate outer dimensions of the single encapsulation capsules are 3.94 mm (0.155 in.) to 6.86 mm (0.270 in.) in diameter and a maximum length of 25.4 mm (1.00 in.). Approximate outer dimensions of the double encapsulation capsules are 6.35 mm (0.250 in.) in diameter and a maximum length, not including the cable attachment cavity, of 28.7 mm (1.130 in.). Construction shall be in accordance with attached Source Production and Equipment Company Drawing Nos. B920012, Rev. 1, Sheet 1 of 1; or B920008, Rev. 1, Sheet 2 of 2.
3. Radioactive Contents - No more than 11.1 TBq (300 Ci) of either Cobalt-60, Selenium-75, Ytterbium-169, or Iridium-192. The Co-60 is in the form of metallic pellets. The Se-75 is in a solid metal alloy. The Yb-169 is in the form of a solid metal oxide. The Ir-192 activity cited is output activity, as defined in ANSI Standard N432-1981, and is in the form of metal pellets.

---

<sup>1</sup> "Regulations for the Safe Transport of Radioactive Material, 2012 Edition, No. SSR-6" published by the International Atomic Energy Agency (IAEA), Vienna, Austria.

<sup>2</sup> Title 49, Code of Federal Regulations, Parts 100-199, United States of America.

**CERTIFICATE USA/0608/S-96, REVISION 9**

4. Management System Activities - Records of Management System activities required by Paragraph 306 of the IAEA regulations shall be maintained and made available to the authorized officials for at least three years after the last shipment authorized by this certificate. Consignors in the United States exporting shipments under this certificate shall satisfy the requirements of Subpart H of 10 CFR 71.
  
5. Expiration Date - This certificate expires on April 30, 2024. Previous editions which have not reached their expiration date may continue to be used.

This certificate is issued in accordance with paragraph(s) 804 of the IAEA Regulations and Section 173.476 of Title 49 of the Code of Federal Regulations, in response to the April 22, 2019 petition by Source Production and Equipment Company, Inc., St. Rose, LA, and in consideration of other information on file in this Office.

Certified By:



William Schoonover  
Associate Administrator for Hazardous  
Materials Safety

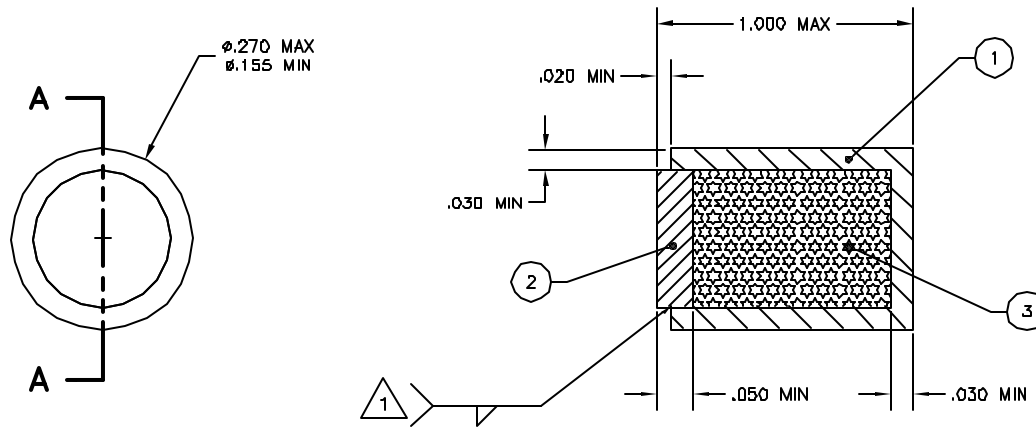
May 03, 2019  
(DATE)

Revision 9 - Issued to extend the expiration date, and to eliminate Selenium-75 in elemental form.

CONTROLLED COPY NO			
REVISIONS			
REV	DESCRIPTION	DATE	APPROVED
(1)	INCORPORATED CR# 000233.	B-7-08 B-10-08 B-15-08	KP KR KR

NOTES:

- 1 FUSION WELDING (GTAW "TIG").
- 2. EXTERNAL THREADS MAY BE ADDED.



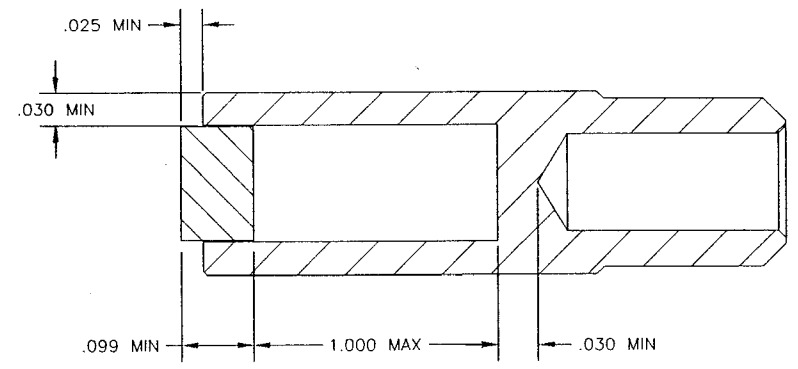
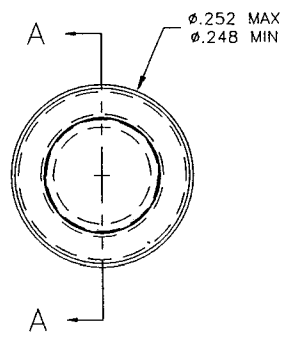
SECTION A-A

AR	QT	IRIDIUM 192	SOLID METALLIC PELLETS	3
1	EA	CAPSULE CAP	240 GT MAX OUTPUT 316L	2
1	EA	CAPSULE	316L STAINLESS STEEL	1
B920012		NOMENCLATURE OR DESCRIPTION		ITEM NO.
QTY REQD		MATERIAL SPECIFICATION		

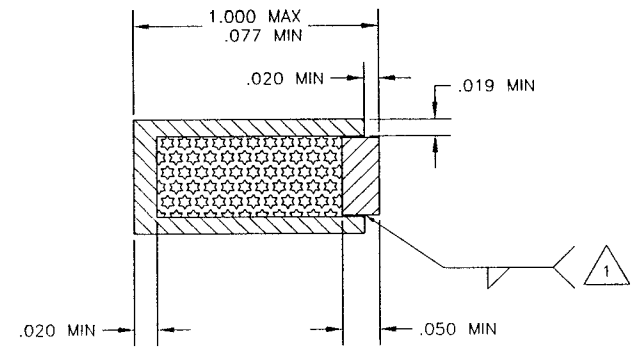
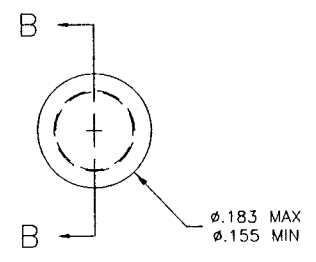
PARTS LIST

UNLESS OTHERWISE SPECIFIED DIMENSIONS ARE IN INCHES TOLERANCES ARE		SOURCE PRODUCTION & EQUIPMENT CO., INC. 113 TEAL ST, ST ROSE, LA 70087	
N/A	APPROVALS	DATE	SINGLE ENCAPSULATION- IRIDIUM 192, SPECIAL FORM CAPSULE
DO NOT SCALE DRAWING	DRAWN S. BYRD	10/17/00	
TREATMENT NDNE	CHECKED GCM	8/10/02	
FINISH NDNE	APPROVED ROID	6/11/02	REV 1
		SIZE	DWG NO.
		C	B920012
		SCALE: NTS	M 00111601 SHEET 1 OF 1

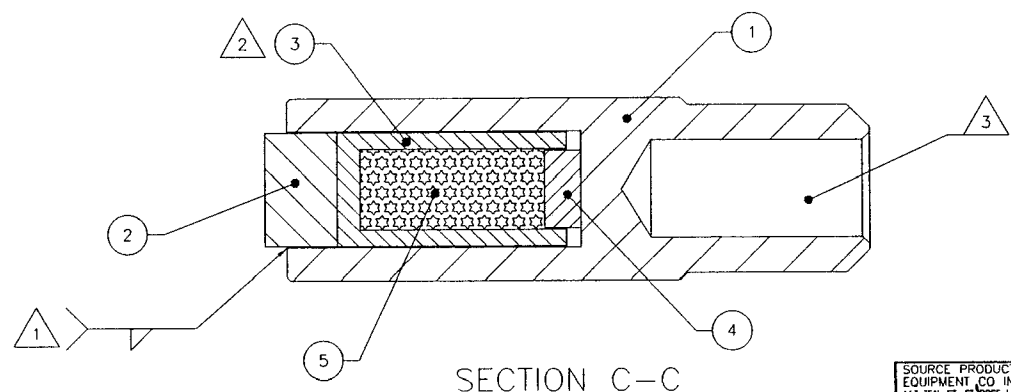
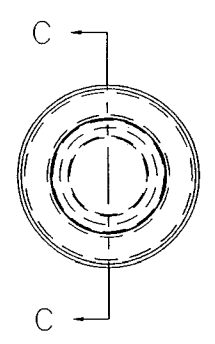
CONTROLLED COPY NO			
REVISIONS			
REV	DESCRIPTION	DATE	APPROVED



SECTION A-A



SECTION B-B



SECTION C-C

SOURCE PRODUCTION & EQUIPMENT CO INC 113 TEAL ST. ST ROSE LA 70087	SIZE	DWG NO	REV
	C	B920008	1
APPROVED <i>[Signature]</i>	SCALE: 8/1	M 00111501	SHEET 2 OF 2



U.S. Department of  
Transportation

**Pipeline and  
Hazardous Materials  
Safety Administration**

East Building, PHH-23  
1200 New Jersey Ave, SE  
Washington, D.C. 20590

**CERTIFICATE NUMBER:** USA/0608/S-96

**ORIGINAL REGISTRANT(S) :**

Source Production and Equipment Company, Inc.  
113 Teal Street  
St. Rose, LA, 70087  
USA

Industrial Nuclear Company, Inc.  
14320 Wicks Blvd.  
San Leandro, CA, 94577  
USA

Century Inspection, Inc.  
P.O. Box 59126  
Dallas, TX, 75229-1126  
USA

AITEC USA Investments Inc.  
8401 West Monroe Rd.  
Houston, TX, 77061  
USA

Western Industrial X-Ray  
1707 Enterprise Drive  
Unit J  
P.O. Box 238  
Fairfield, CA, 94533  
USA

Calumet Testing Services, Inc.  
P. O. Box 1510  
Highland, IN, 46322  
USA

Western X-Ray Company  
P.O. Box 785  
Seiling, OK, 73663  
USA

Basin Industrial X-Ray, Inc.  
P.O. Box 4901  
Corpus Christi, TX, 78469  
USA

Edge Inspection Group  
4576 East Second Street  
Suite C  
Benicia, CA, 94510  
USA

High Country Fabrication  
1000 West 1st Street  
Casper, WY, 82604  
USA

RLN Industries  
7533 FM 2004  
Hitchcock, TX, 77563  
USA

CrossBridge Compliance  
2755 State Highway 322  
PO Box 8024  
Longview, TX, 75603  
USA