



U.S. Department  
of Transportation  
**Pipeline and  
Hazardous Materials  
Safety Administration**

**IAEA CERTIFICATE OF COMPETENT AUTHORITY  
SPECIAL FORM RADIOACTIVE MATERIALS  
CERTIFICATE USA/0608/S-96, REVISION 7**

East Building, PHH-23  
1200 New Jersey Avenue Southeast  
Washington, D.C. 20590

This certifies that the sources described have been demonstrated to meet the regulatory requirements for special form radioactive material as prescribed in the regulations of the International Atomic Energy Agency<sup>1</sup> and the United States of America<sup>2</sup> for the transport of radioactive material.

1. Source Identification - Source Production and Equipment Company Series B, G, R, and T Model Sources manufactured after November 30, 2002.
2. Source Description - Either single or double encapsulations constructed of Type 316L stainless steel and tungsten-inert-gas welded. Approximate outer dimensions of the single encapsulation capsules are 3.94 mm (0.155 in.) to 6.86 mm (0.270 in.) in diameter and a maximum length of 25.4 mm (1.00 in.). Approximate outer dimensions of the double encapsulation capsules are 6.35 mm (0.250 in.) in diameter and a maximum length, not including the cable attachment cavity, of 28.7 mm (1.130 in.). Construction shall be in accordance with attached Source Production and Equipment Company Drawing Nos. B920012, Rev. 1, Sheet 1 of 1; or B920008, Rev. 1, Sheet 2 of 2.
3. Radioactive Contents - No more than 11.1 TBq (300 Ci) of either Cobalt-60, Selenium-75, Ytterbium-169, or Iridium-192. The Co-60 is in the form of metallic pellets. The Se-75 is in solid elemental form or as a solid metal alloy. The Yb-169 is in the form of a solid metal oxide. The Ir-192 activity cited is output activity, as defined in ANSI Standard N432-1981, and is in the form of metal pellets.
4. Quality Assurance - Records of Quality Assurance activities required by Paragraph 310 of the IAEA regulations<sup>1</sup> shall be maintained and made available to the authorized officials for at least three years after the last shipment authorized by this certificate. Consignors in the United States exporting shipments under this certificate shall satisfy the applicable requirements of Subpart H of 10 CFR 71.

---

<sup>1</sup> "Regulations for the Safe Transport of Radioactive Material, 1996 Edition (Revised), No. TS-R-1 (ST-1, Revised)," published by the International Atomic Energy Agency (IAEA), Vienna, Austria.

<sup>2</sup> Title 49, Code of Federal Regulations, Parts 100-199, United States of America.

**CERTIFICATE USA/0608/S-96, REVISION 7**

5. Expiration Date - This certificate expires on February 28, 2017. On July 31, 2015, this certificate supersedes all previous revisions of USA/0608/S-96.

This certificate is issued in accordance with paragraph 804 of the IAEA Regulations and Section 173.476 of Title 49 of the Code of Federal Regulations, in response to the April 14, 2015 petition by Source Production and Equipment Company, Inc., St. Rose, LA, and in consideration of other information on file in this Office.

Certified By:



---

Dr. Magdy El-Sibaie  
Associate Administrator for Hazardous Materials Safety

**May 13 2015**

(DATE)

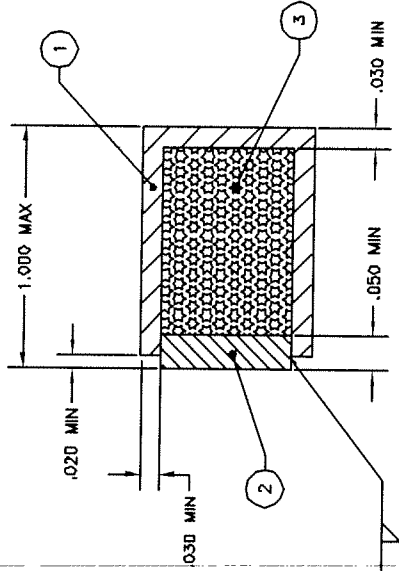
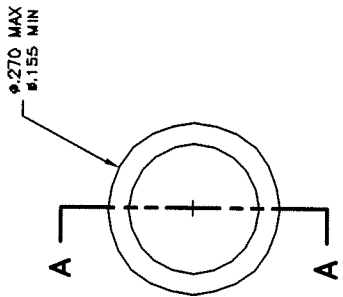
Revision 7 - Issued to revise the Se-75 physical form.

CONTROLLED COPY NO

REVISIONS		DATE	APPROVED
REV	DESCRIPTION		
(1)	INCORPORATED CR# 000233.	8-7-08 8-10-08 8-15-08	KR KR KR

NOTES:

- 1 FUSION WELDING (STAW "TIG").
- 2. EXTERNAL THREADS MAY BE ADDED.



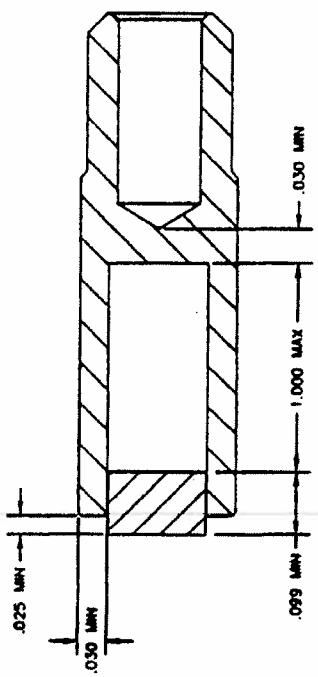
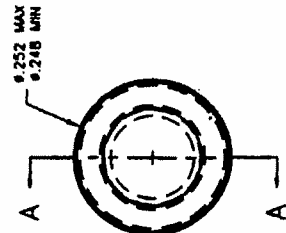
SECTION A-A

AR	CI	IRIDIUM 192	SOLID METALIC PELLETS	3
1	EA	CAPSULE CAP	240 CI MAX OUTPUT 316L	2
1	EA	CAPSULE	STAINLESS STEEL 316L	1
BIB20012		NON-REPLACEMENT PART	STAINLESS STEEL	
REV. 1		DATE	DESCRIPTION	

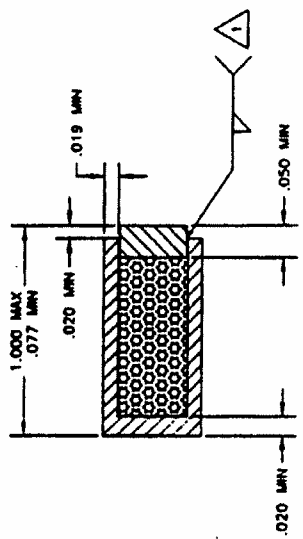
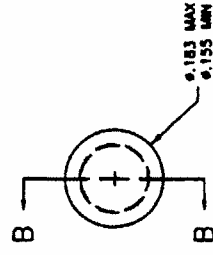
PARTS LIST

UNLESS OTHERWISE SPECIFIED DIMENSIONS ARE IN INCHES TOLERANCES ARE		APPROVALS		DATE	
N/A		DRAWN S. BYRD	S. BYRD	10/17/00	
DO NOT SCALE DRAWING		CHECKED DCN	DCN	9/10/02	
TREATMENT NONE		APPROVED REID	REID	6/11/02	
FINISH NONE					
SOURCE PRODUCTION & EQUIPMENT CO., INC.					
113 TEAL ST. ST. ROSE, LA. 70087					
SINGLE ENCAPSULATION-					
IRIDIUM 192,					
SPECIAL FORM CAPSULE					
REV 1		C B920012		M 00111601 SHEET 1 OF 1	

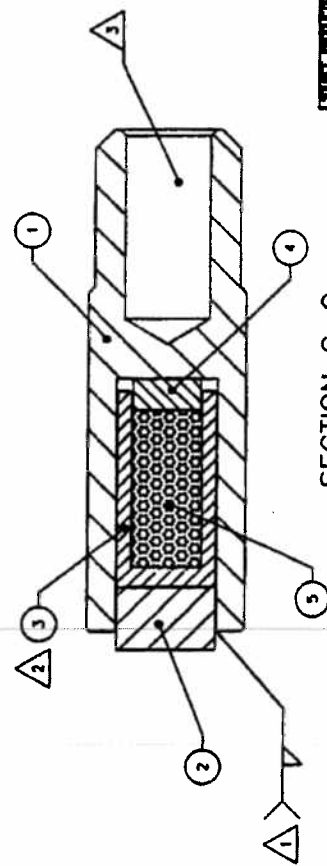
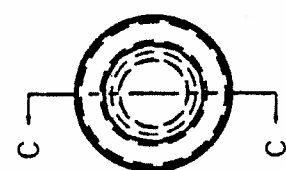
CONTROLLED COPY NO	
REV	REVISIONS
DATE	APPROVED



SECTION A-A



SECTION B-B



SECTION C-C

REV	REVISIONS	DATE	APPROVED

SCALE: 1/1  
M 00111501  
C 8920008  
SHEET 2 OF 2



U.S. Department  
of Transportation

East Building, PHH-23  
1200 New Jersey Avenue SE  
Washington, D.C. 20590

**Pipeline and  
Hazardous Materials  
Safety Administration**

**CERTIFICATE NUMBER:** USA/0608/S-96, Revision 7

**ORIGINAL REGISTRANT(S):**

Mr. R.D. Donny Dicharry  
President  
Source Production and Equipment Company, Inc.  
113 Teal Street  
St. Rose, 70087-9691  
USA

Kelly Richardt  
Regulatory and Quality Manager  
Source Production and Equipment Company, Inc.  
113 Teal St.  
St. Rose, 70087  
USA

**REGISTERED USER(S):**

Drew McCorkle  
Century Inspection, Inc.  
P.O. Box 59126  
Dallas, TX 75229-1126

Mr. Harold T. Holton  
Radiation Safety Officer  
AITEC USA Investments Inc.  
8401 West Monroe Rd.  
Houston, 77061  
USA

T. L. Finkenbinder  
Radiation Safety Officer  
Western Industrial X-Ray  
1707 Enterprise Drive  
Unit J  
P.O. Box 238  
Fairfield, CA 94533

Thomas J. Keilman  
Radiation Safety Officer  
Calumet Testing Services, Inc.  
P. O. Box 1510  
Highland, IN 46322

James E. Peter  
Radiation Safety Officer  
Western X-Ray Company  
P.O. Box 785  
Seiling, OK 73663

Dick Denman  
Basin Industrial X-Ray, Inc.  
P.O. Box 4901  
Corpus Christi, TX 78469

Mr. Joe Arvizu  
Radiation Safety Officer  
Edge Inspection Group  
4576 East Second Street  
Suite C  
Benicia, CA 94510

Mr. John S. Quinn  
Radiation Safety Officer  
High Country Fabrication  
1000 West 1st Street  
Casper, 82604  
USA

Mr. Mike Rose  
Industrial Nuclear Company, Inc.  
14320 Wicks Blvd.  
San Leandro, CA 94577

Mr. Montie Wion  
Assistant Radiation Safety Officer  
Western X-Ray Company  
P.O. Box 785  
Seiling, OK 73663

Mr. Gary Graves  
Radiation Safety Officer  
Basin Industrial X-Ray, Inc.  
P.O. Box 4901  
Corpus Christi, 78469  
USA

Ms. Mary Burkett  
Basin Industrial X-Ray, Inc.  
P.O. Box 4901  
Corpus Christi, 78469  
USA

Mr. Kenneth Grimes  
Radiation Safety Officer  
RLN Industries  
7533 FM 2004  
Hitchcock, 77563  
USA