



U.S. Department
of Transportation
**Pipeline and
Hazardous Materials
Safety Administration**

**IAEA CERTIFICATE OF COMPETENT AUTHORITY
SPECIAL FORM RADIOACTIVE MATERIALS
CERTIFICATE USA/0566/S-96, REVISION 3**

East Building, PHH-23
1200 New Jersey Avenue Southeast
Washington, D.C. 20590

This certifies that the sources described have been demonstrated to meet the regulatory requirements for special form radioactive material as prescribed in the regulations of the International Atomic Energy Agency¹ and the United States of America² for the transport of radioactive material.

1. Source Identification - Source Production & Equipment Co. Model Nos. G and T.
2. Source Description - Cylindrical double encapsulations made of 316L Corrosion Resisting (CRES) stainless steel and gas tungsten arc (TIG) or laser seal welded. Approximate exterior dimensions are between 6.4 mm (0.25 in.) and 12.7 mm (0.5 in.) in diameter and a maximum of 31.8 mm (1.25 in.) in length, including the outer end plug and the projection for the cable attachment. Minimum wall thickness is 0.76 mm (0.03 in.). Construction shall be in accordance with attached SPEC Drawing No. 19B002, Rev. 1.
3. Radioactive Contents - No more than 11.1 TBq (300 Ci) of Cobalt-60 in the form of solid metal pellets.
4. Quality Assurance - Records of Quality Assurance activities required by Paragraph 310 of the IAEA regulations¹ shall be maintained and made available to the authorized officials for at least three years after the last shipment authorized by this certificate. Consignors in the United States exporting shipments under this certificate shall satisfy the applicable requirements of Subpart H of 10 CFR 71.
5. Expiration Date - This certificate expires on September 30, 2018.

¹ "Regulations for the Safe Transport of Radioactive Material, 1996 Edition (Revised), No. TS-R-1 (ST-1, Revised)," published by the International Atomic Energy Agency (IAEA), Vienna, Austria.

² Title 49, Code of Federal Regulations, Parts 100-199, United States of America.

CERTIFICATE USA/0566/S-96, REVISION 3


This certificate is issued in accordance with paragraph 804 of the IAEA Regulations and Section 173.476 of Title 49 of the Code of Federal Regulations, in response to the April 26, 2013 petition by Source Production and Equipment Company, Inc., St. Rose, LA, and in consideration of other information on file in this Office.

Certified By:



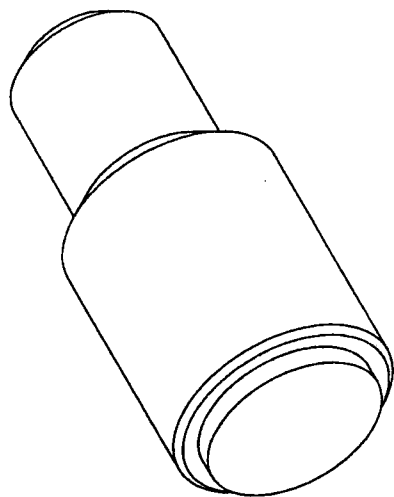
Sep 30 2013

(DATE)

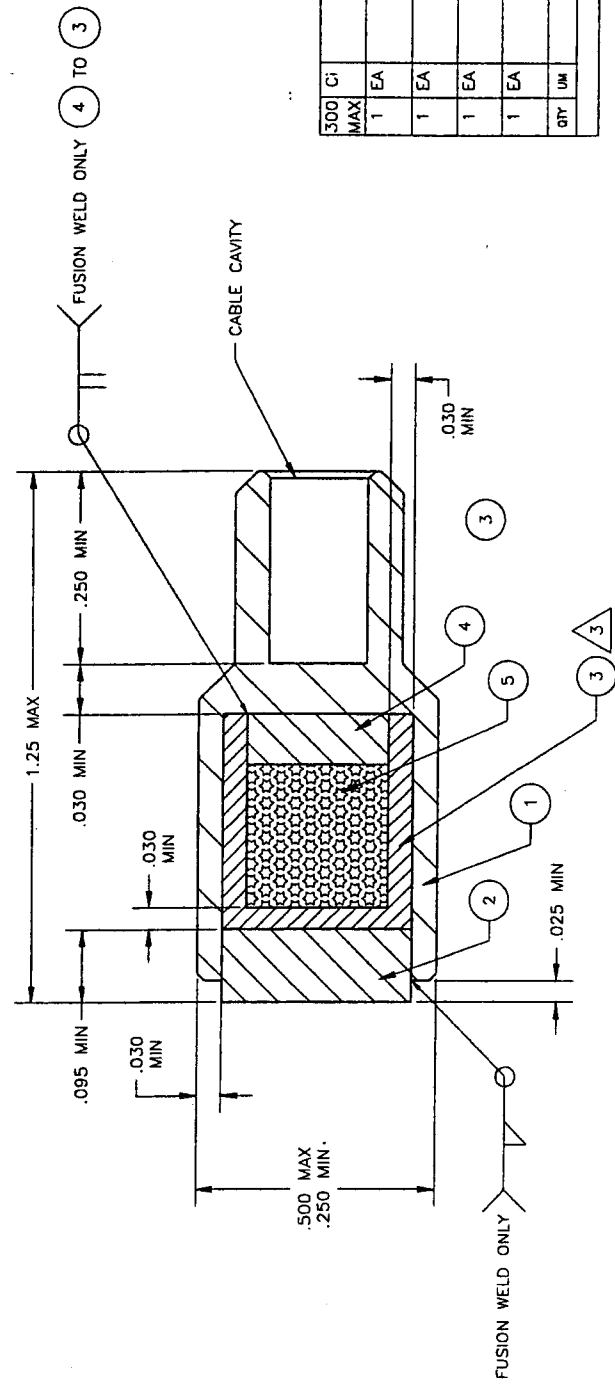
 _____
Dr. Magdy El-Sibaie
Associate Administrator for Hazardous Materials Safety

Revision 3 - Issued to allow laser welding and to extend the expiration date.

CONTROLLED COPY NO	
REVISIONS	
REV	DESCRIPTION
1	ECR #990908-1
DATE	APPROVED
9/9/99	RAM
9/9/99	PW
9/9/99	RLC



- NOTES:
- VOID SPACE (VOLUME) BETWEEN INNER AND OUTER CAPSULE IS LESS THAN .01 IN³.
 - FUSION WELDING (GTAW "TIG") PERFORMED IN ACCORDANCE WITH SPEC WORK INSTRUCTIONS BY QUALIFIED PERSONNEL.
- △ INNER CAPSULE 3 HAS A MAXIMUM SLIP FIT OF .012.



QTY	UM	NOMENCLATURE OR DESCRIPTION	MATERIAL SPECIFICATION	ITEM NO
1	EA	INNER CAPSULE CAP	316L CRES	4
1	EA	INNER CAPSULE	316L CRES	3
1	EA	OUTER CAPSULE CAP	316L CRES	2
1	EA	OUTER CAPSULE	316L CRES	1
500	C	COBALT-60	METALLIC PELLETS	5

PARTS LIST

UNLESS OTHERWISE SPECIFIED TOLERANCES ARE IN INCHES		APPROVALS		DATE
N/A				7/23/99
DO NOT SCALE DRAWING		DRW	SRB	7/26/99
TOLERANCE		CHECKED	PW	7/26/99
SCALE		APPROVED	ROD	7/26/99
				C 19B002
				REV 1

SOURCE PRODUCTION & EQUIPMENT CO., INC.
 113 TEAL ST. ST. ROSE, LA. 70087
 CAPSULE ASSEMBLY -
 G & T SERIES Co-60 SOURCE,
 SPECIAL FORM CAPSULE

SCALE: 8/1 M 00087201 SHEET 1 OF 1



U.S. Department
of Transportation

East Building, PHH-23
1200 New Jersey Avenue SE
Washington, D.C. 20590

**Pipeline and
Hazardous Materials
Safety Administration**

CERTIFICATE NUMBER: USA/0566/S-96, Revision 3

ORIGINAL REGISTRANT(S):

Mr. R.D. Donny Dicharry
President
Source Production and Equipment Company, Inc.
113 Teal Street
St. Rose, 70087-9691
USA

Kelly Richardt
Regulatory and Quality Manager
Source Production and Equipment Company, Inc.
113 Teal St.
St. Rose, 70087
USA

REGISTERED USER(S):

Mr. Harold T. Holton
Radiation Safety Officer
AITEC USA Investments Inc.
8401 West Monroe Rd.
Houston, 77061
USA