



U.S. Department
of Transportation
**Pipeline and
Hazardous Materials
Safety Administration**

**IAEA CERTIFICATE OF COMPETENT AUTHORITY
SPECIAL FORM RADIOACTIVE MATERIALS
CERTIFICATE USA/0608/S-96, REVISION 8**

East Building, PHH-23
1200 New Jersey Avenue Southeast
Washington, D.C. 20590

This certifies that the sources described have been demonstrated to meet the regulatory requirements for special form radioactive material as prescribed in the regulations of the International Atomic Energy Agency¹ and the United States of America² for the transport of radioactive material.

1. Source Identification - Source Production and Equipment Company Series B, G, R, and T Model Sources manufactured after November 30, 2002.
2. Source Description - Either single or double encapsulations constructed of Type 316L stainless steel and tungsten-inert-gas welded. Approximate outer dimensions of the single encapsulation capsules are 3.94 mm (0.155 in.) to 6.86 mm (0.270 in.) in diameter and a maximum length of 25.4 mm (1.00 in.). Approximate outer dimensions of the double encapsulation capsules are 6.35 mm (0.250 in.) in diameter and a maximum length, not including the cable attachment cavity, of 28.7 mm (1.130 in.). Construction shall be in accordance with attached Source Production and Equipment Company Drawing Nos. B920012, Rev. 1, Sheet 1 of 1; or B920008, Rev. 1, Sheet 2 of 2.
3. Radioactive Contents - No more than 11.1 TBq (300 Ci) of either Cobalt-60, Selenium-75, Ytterbium-169, or Iridium-192. The Co-60 is in the form of metallic pellets. The Se-75 is in solid elemental form or as a solid metal alloy. The Yb-169 is in the form of a solid metal oxide. The Ir-192 activity cited is output activity, as defined in ANSI Standard N432-1981, and is in the form of metal pellets.
4. Quality Assurance - Records of Quality Assurance activities required by Paragraph 310 of the IAEA regulations¹ shall be maintained and made available to the authorized officials for at least three years after the last shipment authorized by this certificate. Consignors in the United States exporting shipments under this certificate shall satisfy the applicable requirements of Subpart H of 10 CFR 71.
5. Expiration Date - This certificate expires on January 31, 2022.

¹ "Regulations for the Safe Transport of Radioactive Material, 1996 Edition (Revised), No. TS-R-1 (ST-1, Revised)," published by the International Atomic Energy Agency(IAEA), Vienna, Austria.

² Title 49, Code of Federal Regulations, Parts 100-199, United States of America.

CERTIFICATE USA/0608/S-96, REVISION 8


This certificate is issued in accordance with paragraph 804 of the IAEA Regulations and Section 173.476 of Title 49 of the Code of Federal Regulations, in response to the November 10, 2016 petition by Source Production and Equipment Company, Inc., St. Rose, LA, and in consideration of other information on file in this Office.

Certified By:



Jan 18 2017

(DATE)

 William Schoonover

Acting Associate Administrator for Hazardous Materials Safety

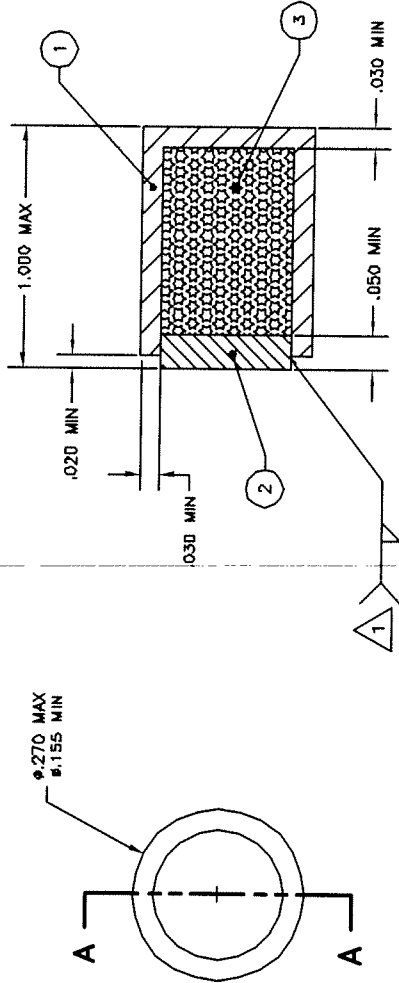
Revision 8 - Issued to extend the expiration date.

CONTROLLED COPY NO

REVISIONS		DATE	APPROVED
REV	DESCRIPTION		
(1)	INCORPORATED CRY 000233.	8-7-08 8-10-08 8-15-08	KP KR KR

NOTES:

- 1 FUSION WELDING (STAW "TIG").
- 2 EXTERNAL THREADS MAY BE ADDED.

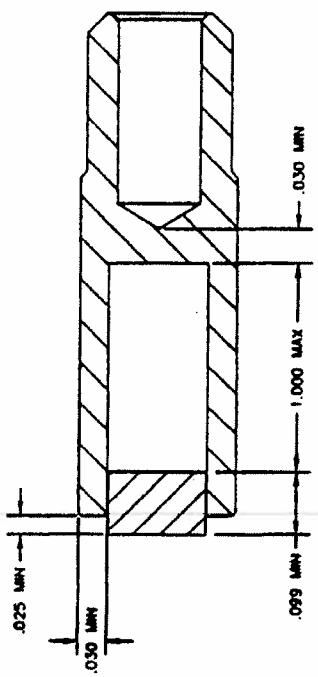
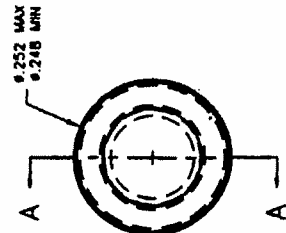


SECTION A-A

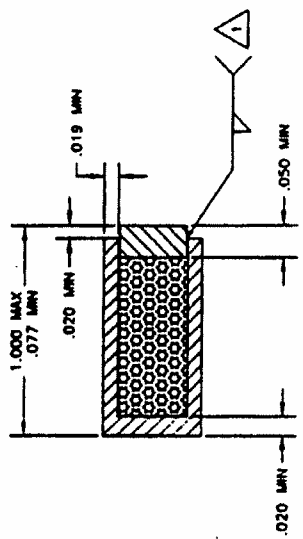
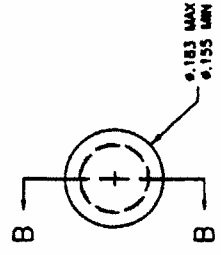
AR	CI	IRIDIUM 192	SOLID METALLIC PELLETS	3
1	EA	CAPSULE CAP	240 CI MAX OUTPUT 316L	2
1	EA	CAPSULE	STAINLESS STEEL 316L	1
BIB20012		NON-REPLACEMENT	STAINLESS STEEL	
REV		DATE	DESCRIPTION	ITEM
PARTS LIST				

APPROVALS		DATE	SOURCE PRODUCTION & EQUIPMENT CO., INC.	
DRAWN	S. BYRD	10/17/00	113 TEAL ST. ST. ROSE, LA. 70087	
CHECKED	CCM	9/10/02	SINGLE ENCAPSULATION-	
APPROVED	REID	6/11/02	IRIDIUM 192,	
			SPECIAL FORM CAPSULE	
			SIZE Dwg No	REV
			C B920012	1
FINISH			SCALE: NTS	M 00111601
NONE			SHEET	1 DF 1

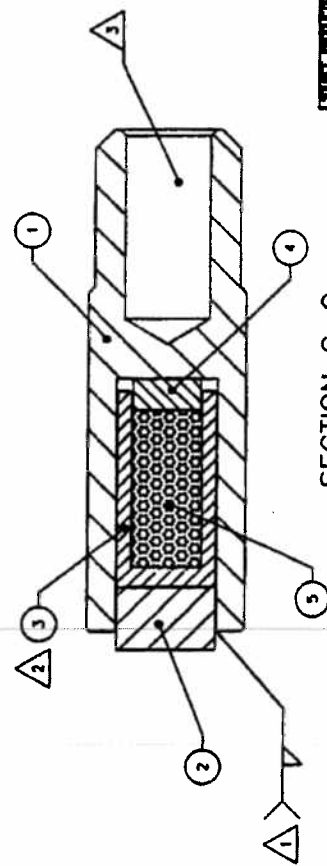
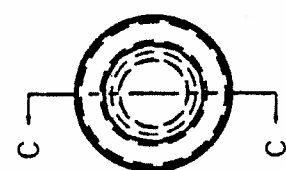
CONTROLLED COPY NO	
REV	REVISIONS
DATE	APPROVED



SECTION A-A



SECTION B-B



SECTION C-C

REV	REVISIONS	DATE	APPROVED

SCALE: 1/1
M 00111501 | SHEET 2 OF 2



U.S. Department
of Transportation

East Building, PHH-23
1200 New Jersey Avenue SE
Washington, D.C. 20590

**Pipeline and
Hazardous Materials
Safety Administration**

CERTIFICATE NUMBER: USA/0608/S-96, Revision 8

ORIGINAL REGISTRANT(S):

Mr. R.D. Donny Dicharry
President
Source Production and Equipment Company, Inc.
113 Teal Street
St. Rose, 70087-9691
USA

Kelly Richardt
Regulatory and Quality Manager
Source Production and Equipment Company, Inc.
113 Teal St.
St. Rose, 70087
USA

REGISTERED USER(S):

Drew McCorkle
Century Inspection, Inc.
P.O. Box 59126
Dallas, TX 75229-1126

Mr. Harold T. Holton
Radiation Safety Officer
AITEC USA Investments Inc.
8401 West Monroe Rd.
Houston, 77061
USA

T. L. Finkenbinder
Radiation Safety Officer
Western Industrial X-Ray
1707 Enterprise Drive
Unit J
P.O. Box 238
Fairfield, CA 94533

Thomas J. Keilman
Radiation Safety Officer
Calumet Testing Services, Inc.
P. O. Box 1510
Highland, IN 46322

James E. Peter
Radiation Safety Officer
Western X-Ray Company
P.O. Box 785
Seiling, OK 73663

Dick Denman
Basin Industrial X-Ray, Inc.
P.O. Box 4901
Corpus Christi, TX 78469

Mr. Joe Arvizu
Radiation Safety Officer
Edge Inspection Group
4576 East Second Street
Suite C
Benicia, CA 94510

Mr. John S. Quinn
Radiation Safety Officer
High Country Fabrication
1000 West 1st Street
Casper, 82604
USA

Mr. Mike Rose
QAM and ARSO
Industrial Nuclear Company, Inc.
14320 Wicks Blvd.
San Leandro, CA 94577

Mr. Montie Wion
Assistant Radiation Safety Officer
Western X-Ray Company
P.O. Box 785
Seiling, OK 73663

Mr. Gary Graves
Radiation Safety Officer
Basin Industrial X-Ray, Inc.
P.O. Box 4901
Corpus Christi, 78469
USA

Mrs. Cassidy Watts
Basin Industrial X-Ray, Inc.
P.O. Box 4901
Corpus Christi, 78469
USA

Mr. Kenneth Grimes
Radiation Safety Officer
RLN Industries
7533 FM 2004
Hitchcock, 77563
USA

Jean Staton
RSO
Industrial Nuclear Company, Inc.
300 HWY 146N
LaPorte, 77571
USA

Luis Costa
Interim RSO
Industrial Nuclear Company, Inc.
300 HWY 146N
LaPorte, TX 77571

Charles Bollinger
Chief Operating Officer
Industrial Nuclear Company, Inc.
14320 Wicks Blvd
San Leandro, CA 94577