

Work Instruction No.: SH21

Title: Shipping a C-1, Limited Quantity of Radioactive Material

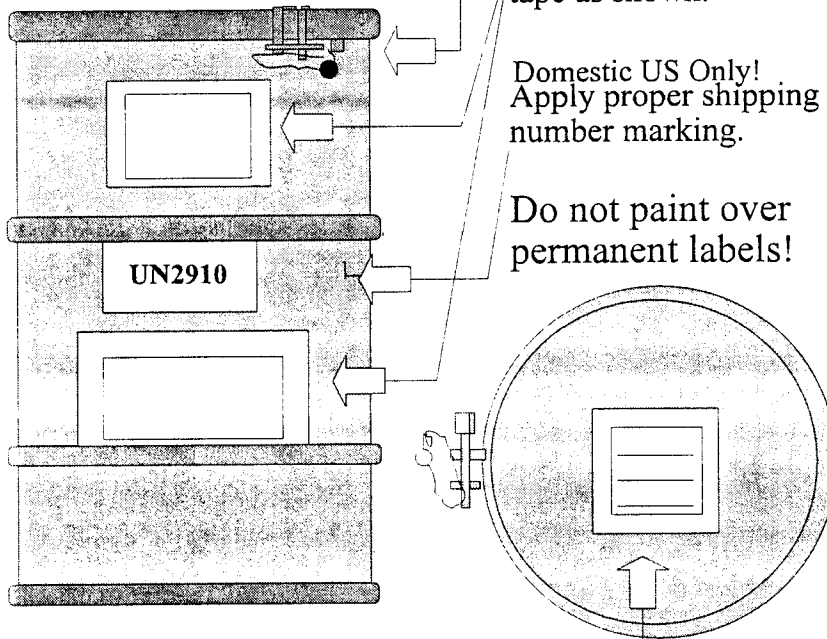
EXAMPLE of DRUM and EXCEPTED PACKAGE LABEL

Lead wire seal or equivalent tamper proof seal must be applied before shipping

Cover the Radioactive trefoil and drum labeling with paper and tape as shown.

Domestic US Only!
Apply proper shipping name/UN number marking.

Do not paint over permanent labels!



Address label

Enclosure (1)

**Source Production & Equipment Company, Inc.
113 Teal Street, St. Rose, LA 70087**

Work Instruction No.: SH21

Title: Shipping a C-1, Limited Quantity of Radioactive Material

EXAMPLE of AIR WAYBILL

INSTRUCTIONS:

The proper shipping name and UN number should be noted in the Nature and Quantity of Goods section of the Air Waybill when shipping an excepted package, limited quantity.

Airport of Destination		Requested Flight/Date		Amount of Insurance	INSURANCE - if carrier offers insurance, and such insurance is requested in accordance with the conditions thereof, indicate amount to be insured in figures in box marked "Amount of Insurance".		
Handling Information							SCI
No. of Pieces RCP	Gross Weight	kg lb	Rate Class	Chargeable Weight	Rate / Charge	Total	Nature and Quantity of Goods (incl. Dimensions of Volume)
			Commodity Item No.				
							Radioactive material, excepted package - limited quantity of material. UN2910

Enclosure (2)

Source Production & Equipment Company, Inc.
113 Teal Street, St. Rose, LA 70087

Work Instruction No.: SH21

Title: Shipping a C-1, Limited Quantity of Radioactive Material

When the SPEC C-1 source changer is shipped or transported **without** an Ir-192 sealed source or with an Ir-192 sealed source less than 0.027 curies, it can qualify as an excepted package - limited quantity pursuant to the US Code of Federal Regulations Title 49 Section 173.421 and 173.422, and the IATA Dangerous Goods Regulations Section 10.5.9.

The maximum radiation level on the external surface of the outside of the package (drum) may not exceed 0.5 mrem/hr at any point.

PACKAGING

Verify that the SPEC C-1 source changer inner package is marked "RADIOACTIVE". Place the SPEC C-1 source changer in a strong tight outside container such as the 12 gallon steel drum overpack in which it was received. Verify that the maximum radiation level on the surface of the outside package does not exceed 0.5 mrem/hr.

LABELING

Any labels previously applied must be removed or obliterated. Cover all markings on the USA/9036/B(U) drum with **BLANK** paper and tape. Do not paint over these nameplates.

MARKING

No marking is required for international shipments until 2007. For shipments within the US, apply labels on opposite sides of the package with the number "UN2910".

SHIPPING PAPERS AND CERTIFICATION

The "Shipper's Declaration for Dangerous Goods" is not applicable to excepted packages. In the nature of quantity of goods column of the air way bill, insert "Radioactive material, excepted package - Limited quantity of material. UN2910". Certification requirements were omitted from 49CFR Section 173.422 on 10/01/2004.

Enclosure (3)

**Source Production & Equipment Company, Inc.
113 Teal Street, St. Rose, LA 70087**